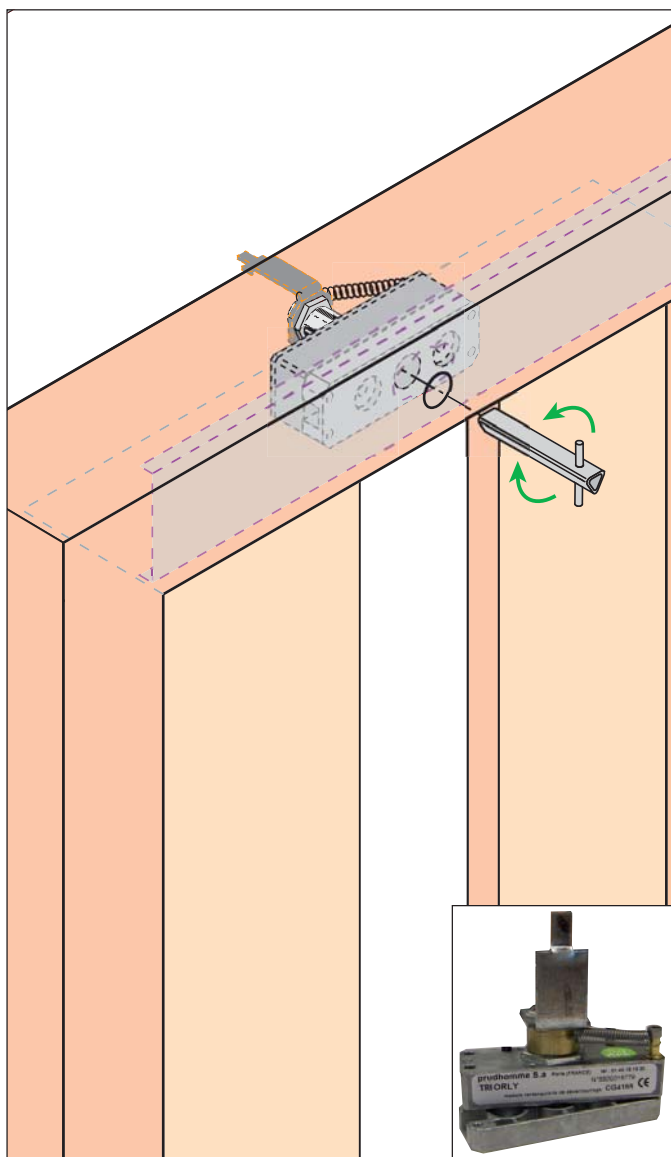
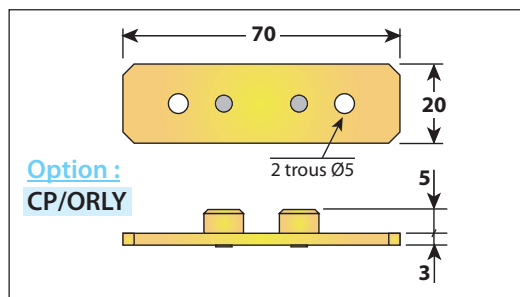
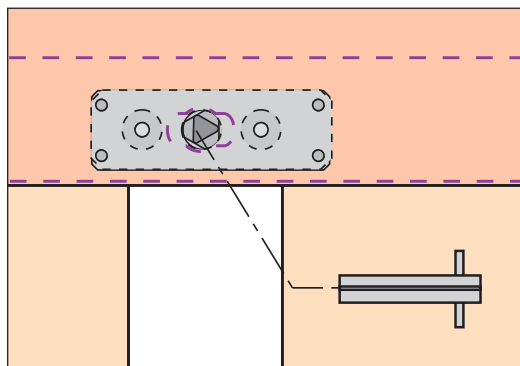


Standardised unlocking triangle for automatic sliding door with lateral opening (Type ORLY)



New installation and Renovation

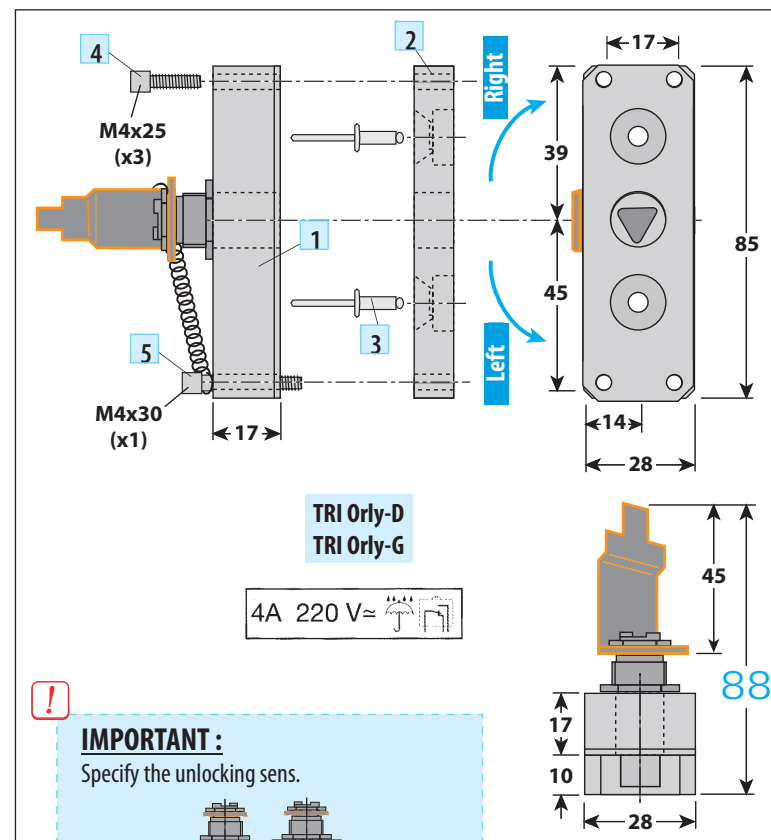


Product composition

Rep.	Qty.	Designation
1	1	Box + triangle + cam
2	1	Bride

Screws

Rep.	Qty.	Designation
3	2	Rivets Ø4x16 F / steel
4	4	Screw CHC 4x25 treated



**IMPORTANT :**  
Specify the unlocking sens.

TRI Orly-G      TRI Orly-D